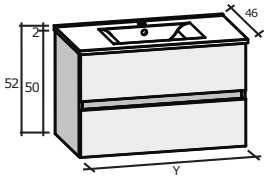
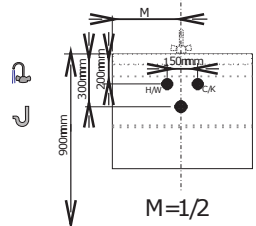


# PORTO Underbasin Cabinet

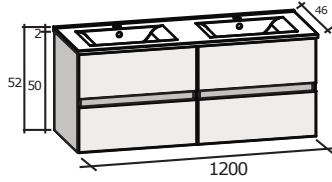
1 tap hole  
1 drain hole



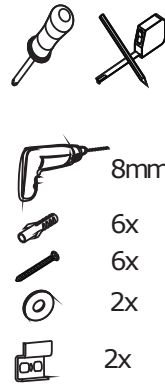
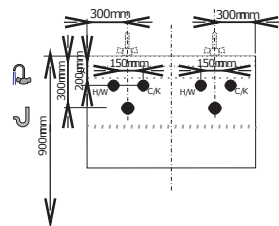
Y = 600 800 1000mm



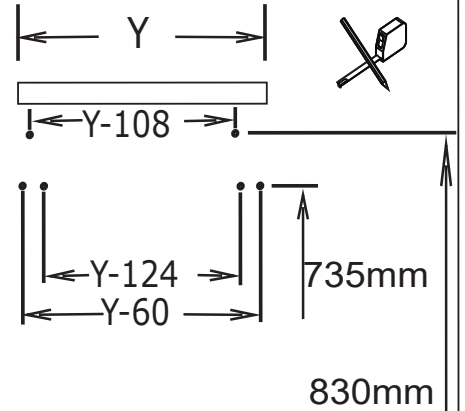
2 tap holes  
2 drain holes



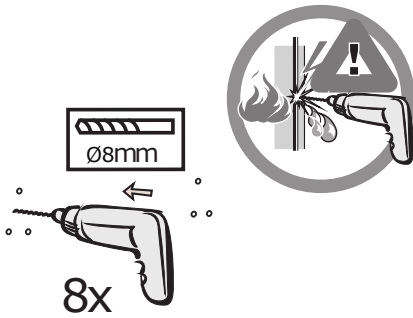
Y = 1200mm



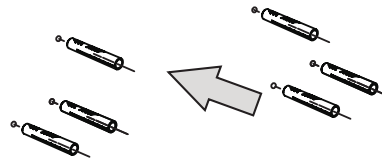
1 Y = 600/800/1000/1200mm



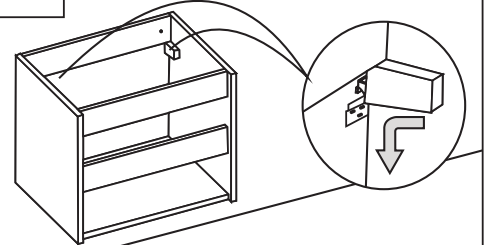
2



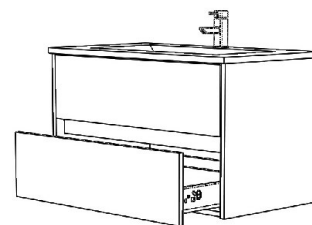
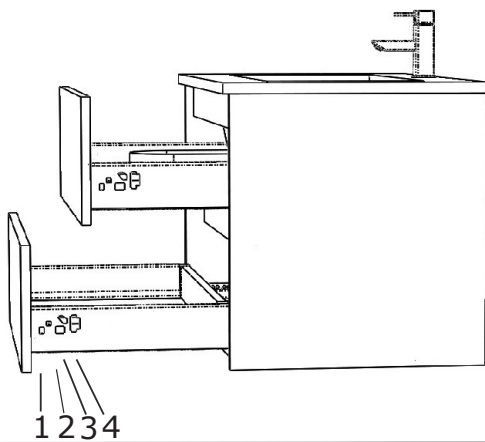
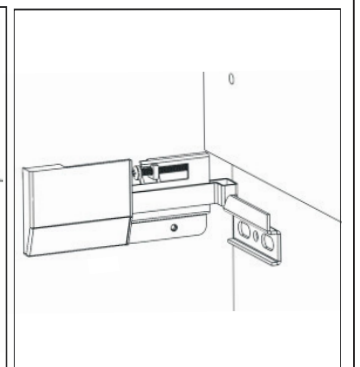
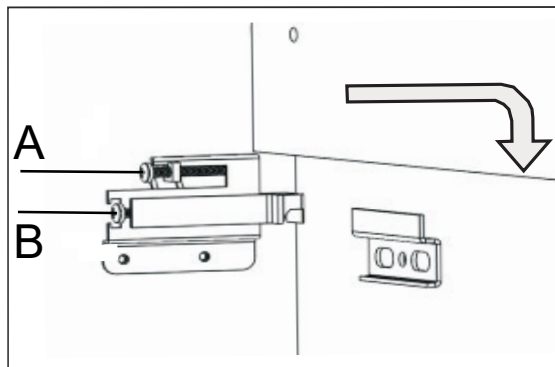
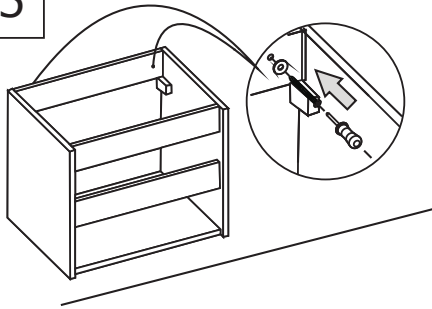
3



4



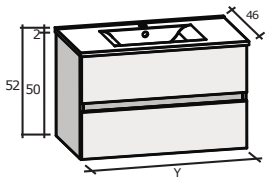
5



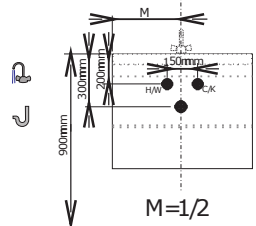
- 1 - Adjust left / right
- 2 - Adjust in height
- 3 - Remove drawer
- 4 - Remove front

# PORTO Underbasin Cabinet

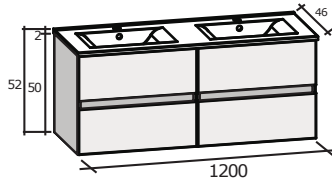
1 tap hole  
1 drain hole



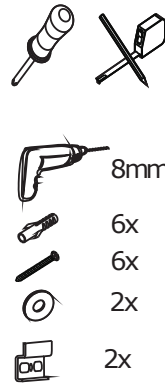
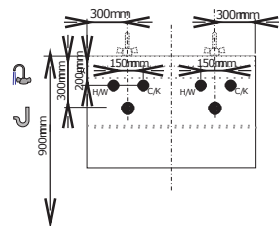
Y = 600 800 1000mm



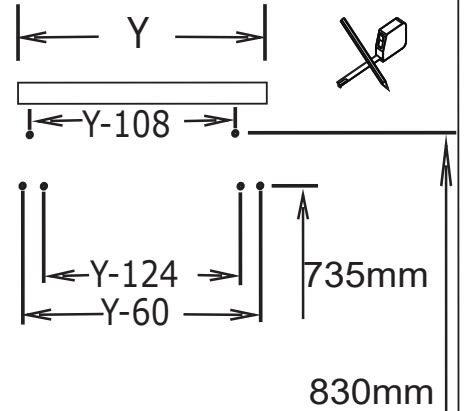
2 tap holes  
2 drain holes



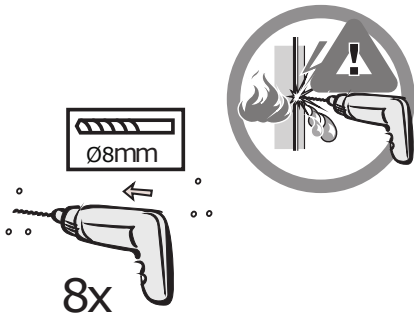
Y = 1200mm



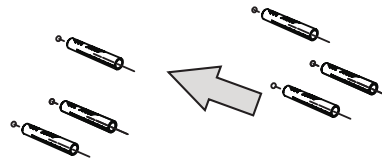
1 Y = 600/800/1000/1200mm



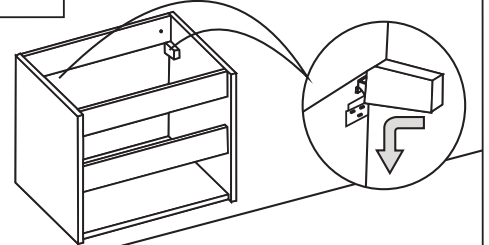
2



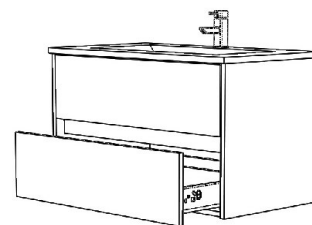
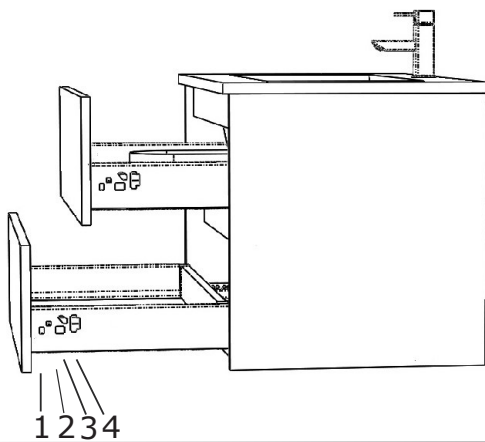
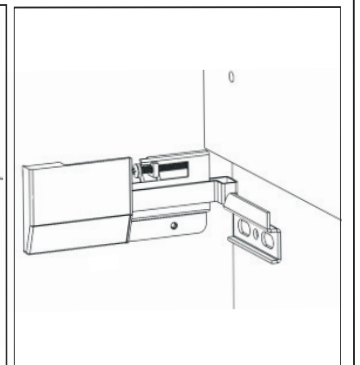
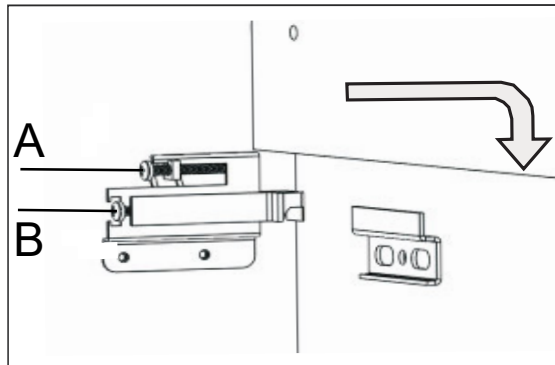
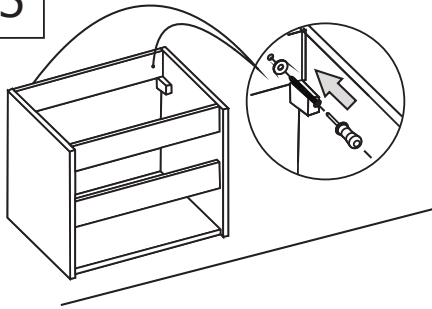
3



4



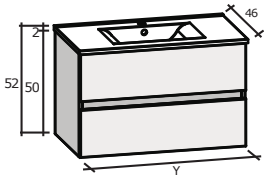
5



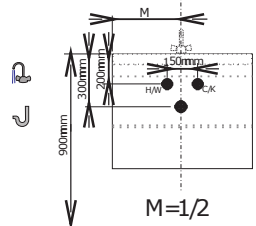
- 1 - Adjust left / right
- 2 - Adjust in height
- 3 - Remove drawer
- 4 - Remove front

# PORTO Underbasin Cabinet

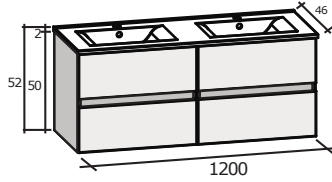
1 tap hole  
1 drain hole



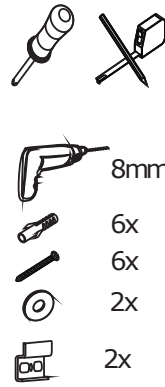
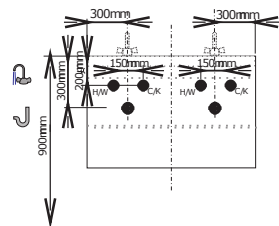
Y = 600 800 1000mm



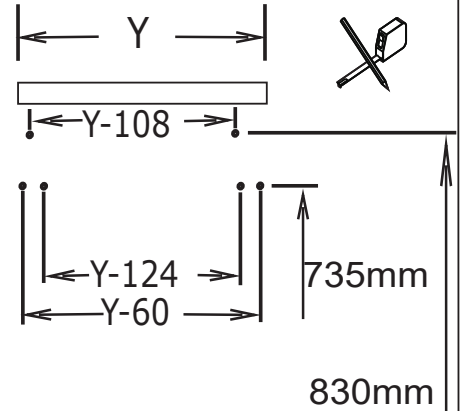
2 tap holes  
2 drain holes



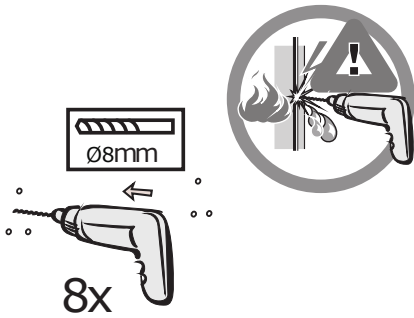
Y = 1200mm



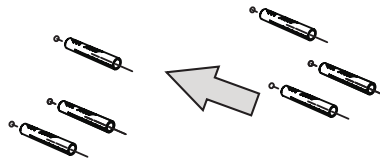
1 Y = 600/800/1000/1200mm



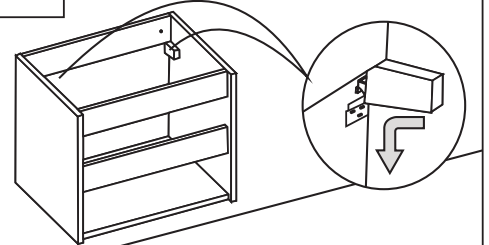
2



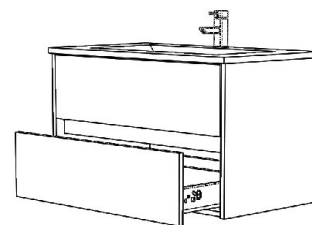
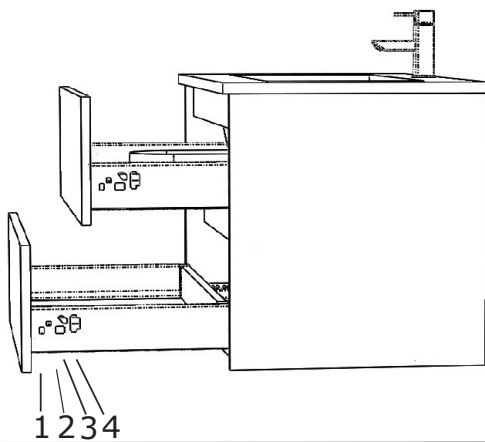
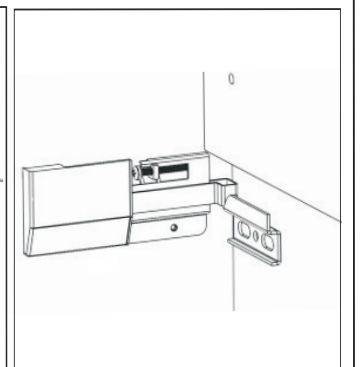
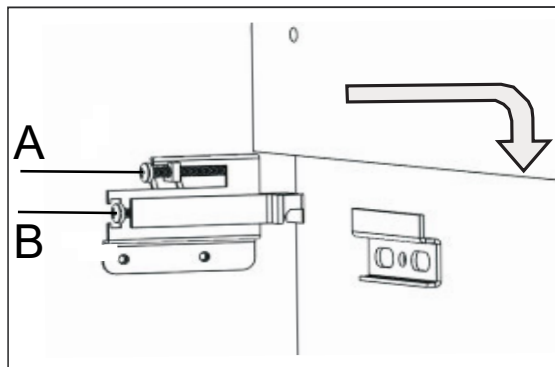
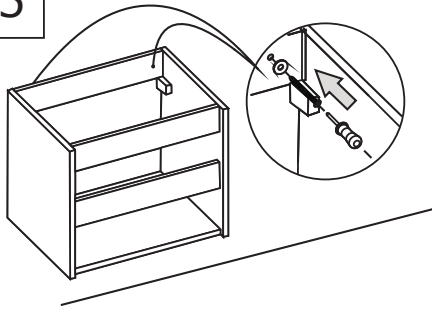
3



4



5



- 1 - Adjust left / right
- 2 - Adjust in height
- 3 - Remove drawer
- 4 - Remove front

# PORTO Underbasin Cabinet

<p>1 tap hole 1 drain hole</p> <p>Y = 600 800 1000mm</p> <p>M=1/2</p>	<p>2 tap holes 2 drain holes</p> <p>Y = 1200mm</p>	<p>8mm 6x 6x 2x 2x</p>	<p>1 Y = 600/800/1000/1200mm</p> <p>Y-108 735mm 830mm Y-124 Y-60</p>
<p>2</p> <p>Ø8mm 8x</p>	<p>3</p>	<p>4</p>	
<p>5</p>	<p>A</p> <p>B</p>		
<p>1 2 3 4</p>		<p>1 - Adjust left / right 2 - Adjust in height 3 - Remove drawer 4 - Remove front</p>	